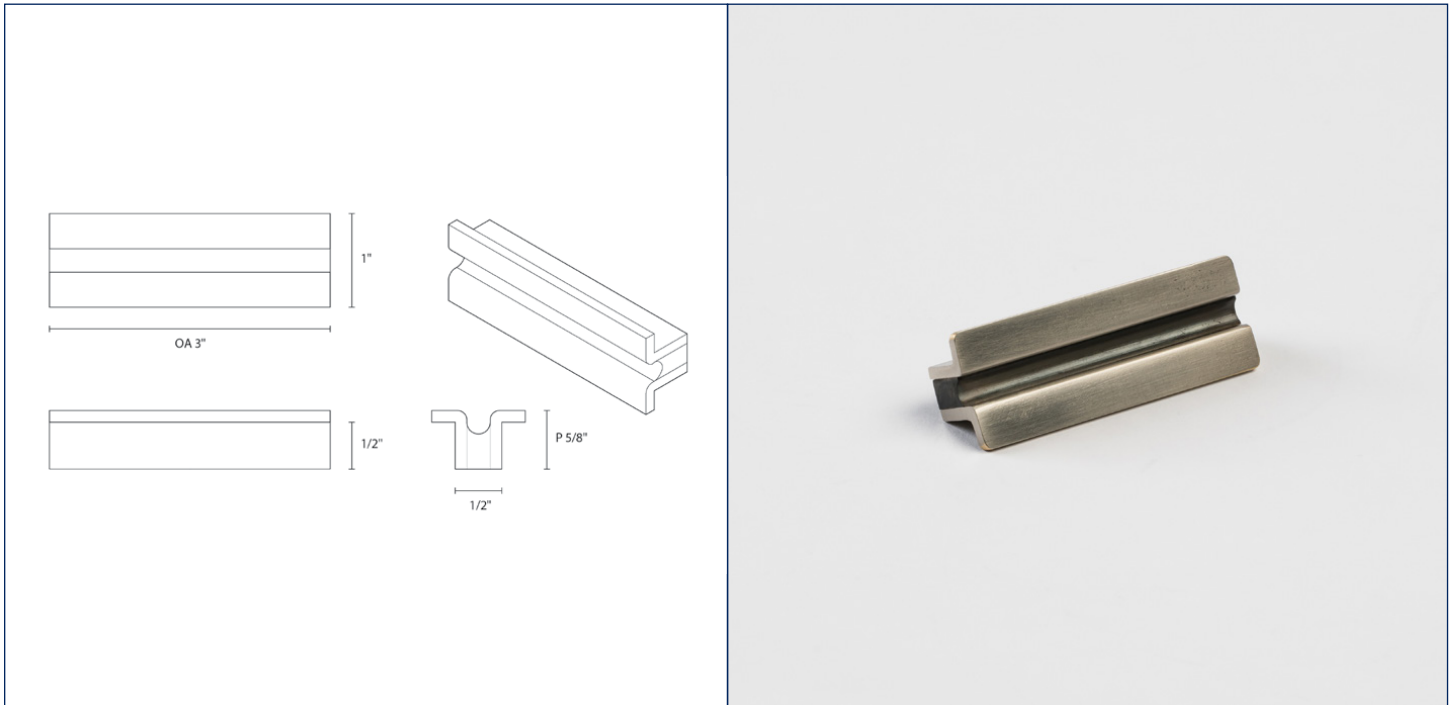




Est. 1836

HOLLAND & SHERRY

INTERIORS



[DLV HARDWARE] OBERYN TOGGLE • DEHW2151

Composition
Solid brass

Width
3"

Center to Center
1 1/4"

Minimum Order
4 pieces

Lead Time
4-6 weeks

Made in
NYC

Metal finishes include satin brass, satin nickel, gunmetal, antique bronze, or any combination thereof.

Finish shown: satin nickel with gunmetal center.