

SENNEN SECTIONAL

SE10107

DIMENSIONS

*Available in a variety of configurations
Left or right facing to be advised by
client*

BACK

Tight back - hybrid frame built with solid beech and CNC-cut cabinet grade birch plywood components, fully hand sprung seat with sprung back

SEAT

Loose seat cushion - Layered foam with pure down wrap

COM

See chart below

COIN LEG

FINISH OPTIONS

#1 - Natural Oil Walnut
#2 - Natural Oil Oak
#3 - Black Smoke & Oil Walnut

Handmade in the USA



SEDILIA
x
HOLLAND & SHERRY

SENNEN SECTIONAL CONTINUED

SE10107

CONFIGURATION OPTIONS

Length A and length B are available in the dimensions shown below or any combination thereof. Length B (the corner section) is available with either a curved arm or open arm variation. Right sided configurations are also available - please get in touch to discuss a configuration to work with your space.

HOW TO CREATE A SENNEN SECTIONAL SOFA:

Choose your Length A

Options for Length A with a curved arm:

- 110.24"
- 118.11"
- 125.98"
- 133.86"

Choose your Length B

Options for Length B with an open arm:

- 86.61"
- 94.49"
- 102.36"

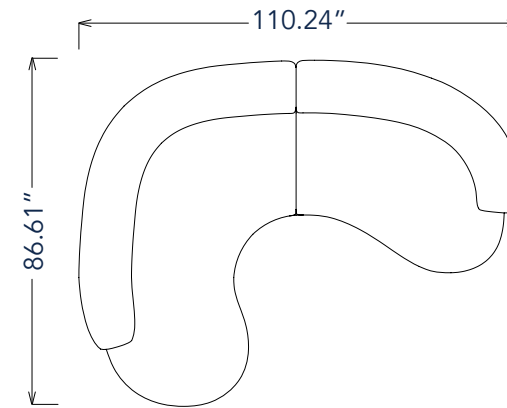
OR

Options for Length B with a curved arm:

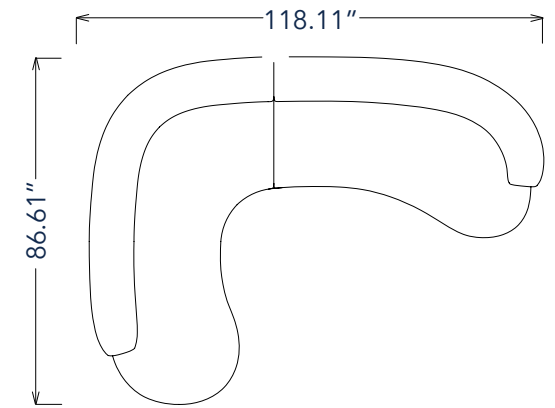
- 110.24"
- 118.11"
- 125.98"
- 133.86"

Choose whether you would like a left hand sided or right-hand sided configuration.

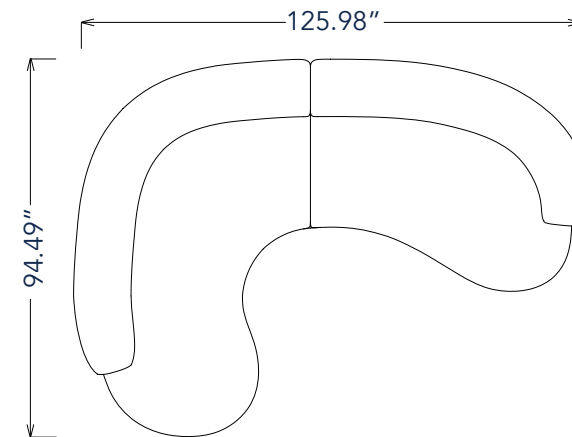
Examples of curved arm + open arm configurations for the Sennen Sectional



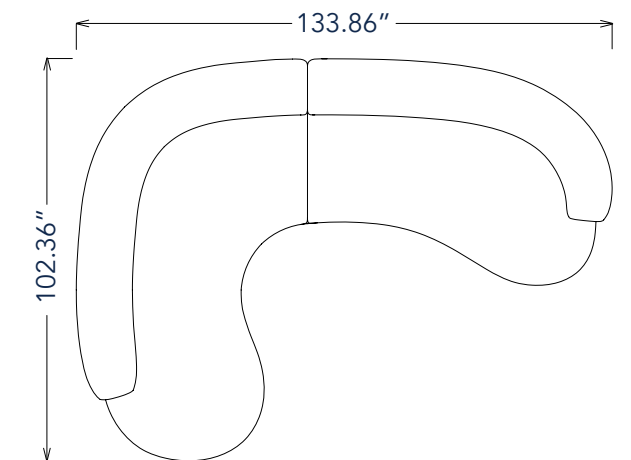
Length A - 110.24" with curved arm
Length B - 86.61" with open arm



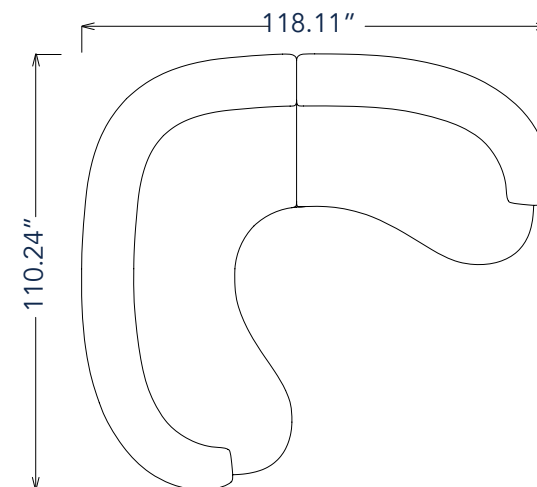
Length A - 118.11" with curved arm
Length B - 86.61" with open arm



Length A - 125.98" with curved arm
Length B - 94.49" with open arm

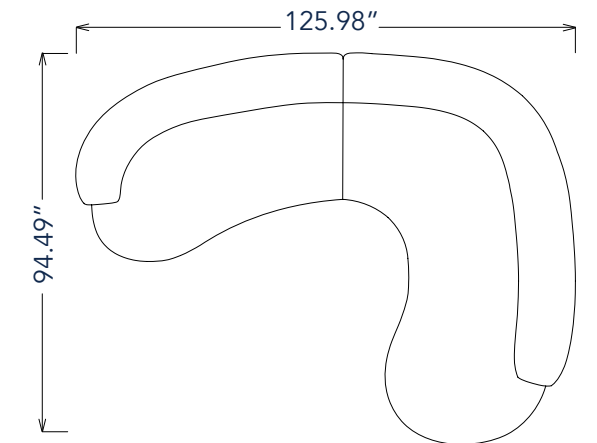


Length A - 133.86" with curved arm
Length B - 102.36" with open arm



Example of a curved arm + curved arm configuration

Length A - 118.11" with curved arm
Length B - 110.24" with curved arm



Example of a right hand sided configuration

Length A - 125.98" with curved arm
Length B - 94.49" with open arm