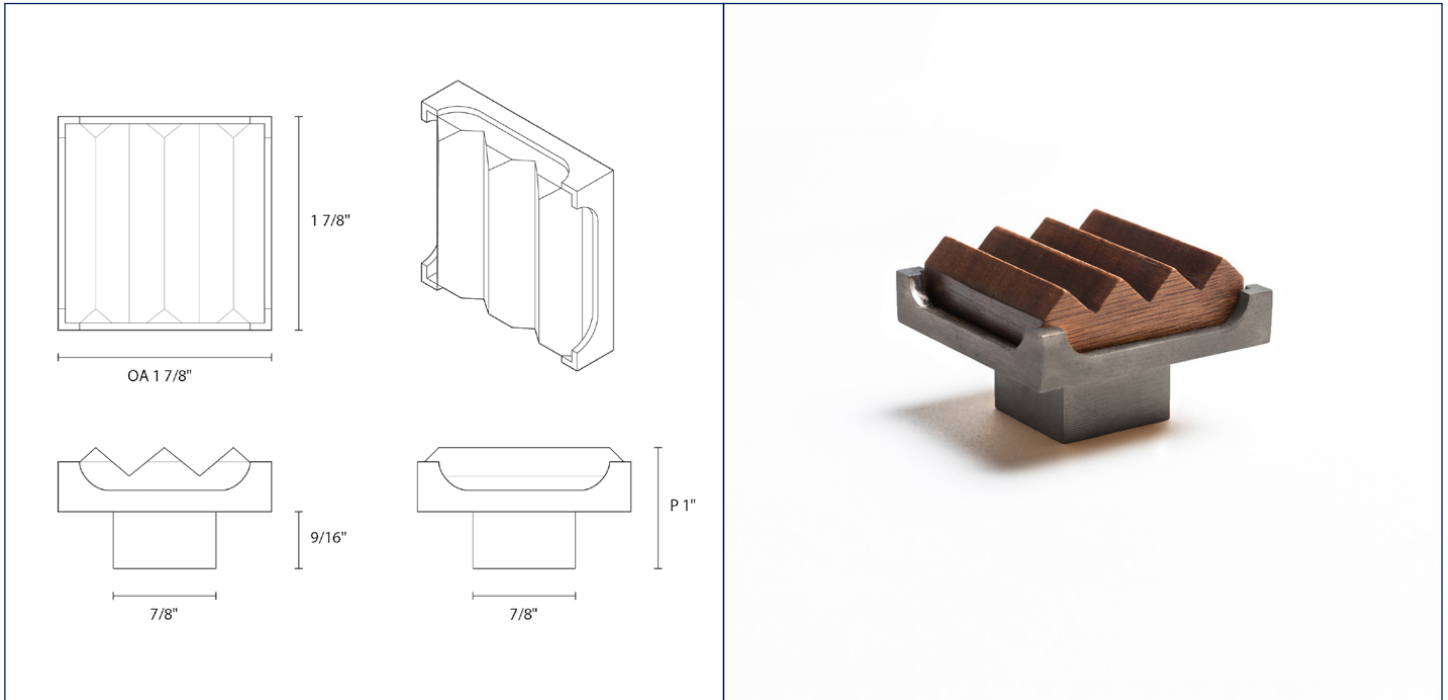




Est. 1836

HOLLAND & SHERRY

INTERIORS



[DLV HARDWARE] SAWTOOTH TOGGLE • DEHW2102

Composition

Solid brass with wooden or baked enamel accent

Width
1 7/8"

Center to Center
1"

Minimum Order
4 pieces

Lead Time
4-6 weeks

Made in
NYC

Metal finishes include satin brass, satin nickel, gunmetal, or antique bronze. Accent finishes include oak, walnut, wenge, or baked enamel.

Finish shown: gunmetal with walnut.